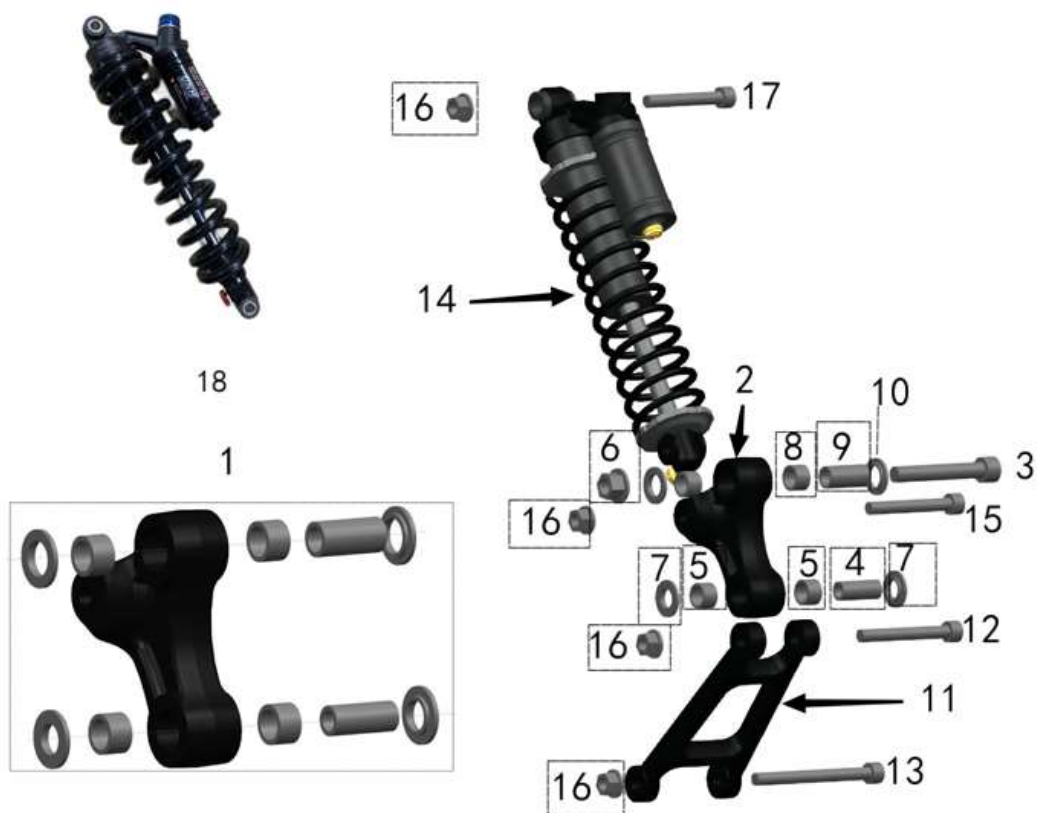


SUSPENSION



SUSPENSION

Item	Parte Ref. No.	Descripción	Unit	Qty.	Precio (CLP)
1	42800-5600Z-000	Swing Arm Assy.	Pcs	1	\$ 45.500
2	42800-56000-000	Swinging Arm	Pcs	1	\$ 29.500
3	10402-56000-000	Bolt GB/T70.1 (M10*65)	Pcs	1	\$ 1.500
4	42801-56000-000	Swinging Arm Liner (Φ12-Φ8-29)	Pcs	1	\$ 3.200
5	13215-56000-000	Swinging Arm Niddle Bearing (HK1210)	Pcs	2	\$ 3.200
6	10044-56000-000	Nut GB/T6187.1 (M10)	Pcs	1	\$ 1.500
7	42803-56000-000	Swinging Arm Nylon Liner (Φ12-Φ23)	Pcs	2	\$ 1.500
8	13216-56000-000	Swinging Arm Niddle Bearing (HK14180)	Pcs	2	\$ 3.200
9	42802-56000-000	Swinging Arm Liner (Φ14-Φ10-29)	Pcs	1	\$ 3.200
10	42804-56000-000	Swinging Arm Nylon Liner (Φ14-Φ23)	Pcs	2	\$ 1.500
11	42700-56000-000	Swinging Arm Linkage	Pcs	1	\$ 32.000
12	10383-56000-000	Bolt GB/T70.1 (M8*65)	Pcs	1	\$ 1.500
13	10387-56000-000	Bolt GB/T70.1 (M8*85)	Pcs	1	\$ 1.500
14	42600-56000-000	Rr. Absorber Assy. (FAST)	Set	1	\$ 299.200
15	10382-56000-000	Bolt GB/T70.1 (M8*60)	Pcs	1	\$ 1.500
16	10043-56000-000	Bolt GB/T6187.1 (M8)	Pcs	4	\$ 1.500
17	10381-56000-000	Bolt GB/T70.1 (M8*55)	Pcs	1	\$ 1.500
18	42600-56001-000	Rr. Absorber Assy.(DNM)	Set	1	\$ 299.200