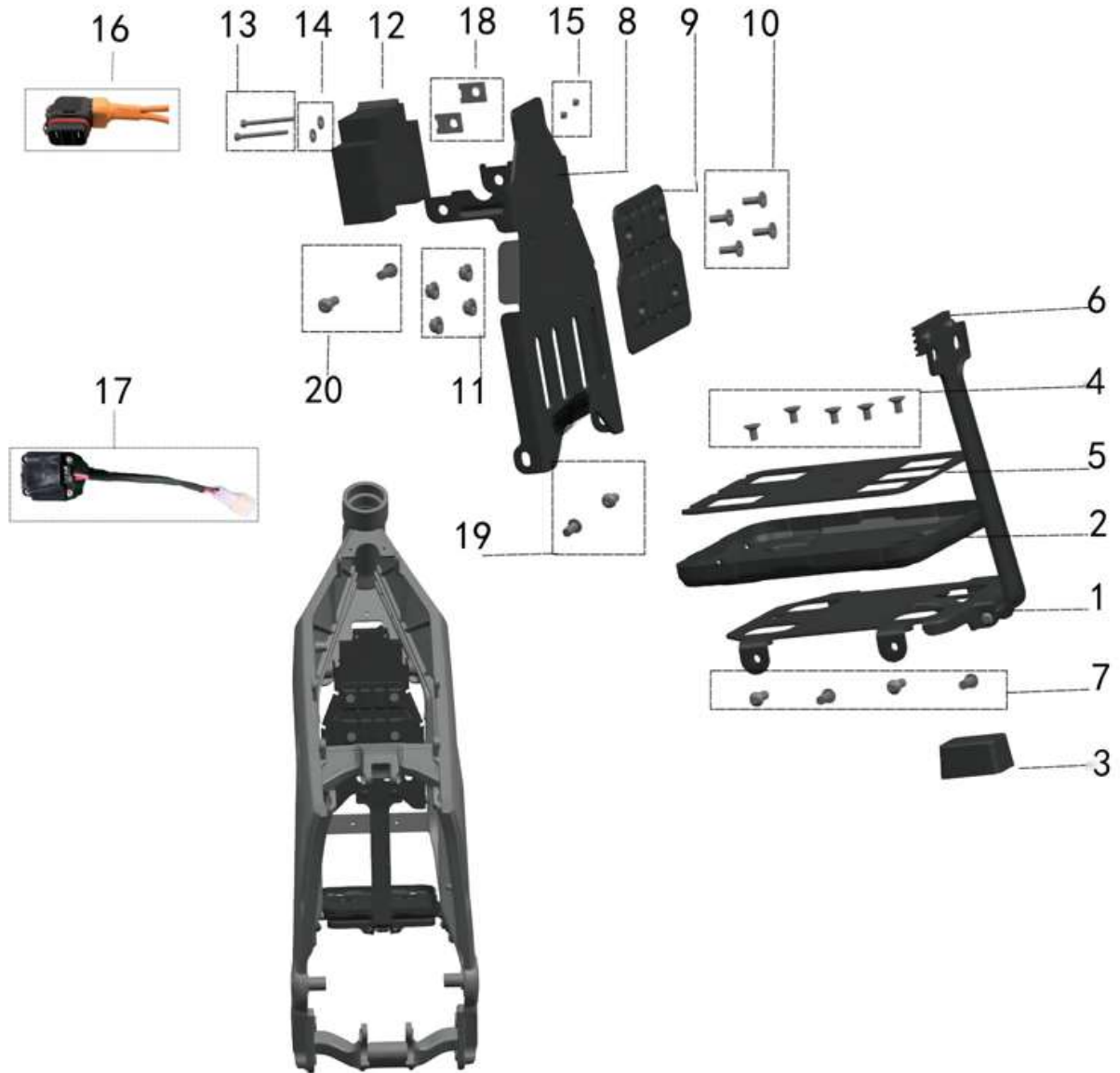


## BATTERY PACK HOLDER



## BATTERY PACK HOLDER

Item	Parte Ref. No.	Descripción	Unit	Qty.	Precio (CLP)
1	43071-56000-000	Battery Pack Holder Bracket	Pcs	1	\$ 28.000
2	42092-56001-000	Battery Pack Bottom Plastic Support	Pcs	1	\$ 5.500
3	12125-56000-000	Battery Pack Holder Bracket Rubber Cushion	Pcs	1	\$ 3.500
4	10471-56000-000	Screw GB/T70.3-2000 (M5*10)	Pcs	5	\$ 1.500
5	12191-56000-000	Battery Pack Bottom Support Silica Gel Mat	Pcs	1	\$ 5.500
6	12125-56000-000	Battery Pack Holder Bracket Upper Rubber	Pcs	1	\$ 5.000
7	10440-56000-000	Screw GB/T70.2 (M6*14)	Pcs	4	\$ 1.500
8	43091-56000-000	Battery Pack Holder Front Fender	Pcs	1	\$ 29.200
9	12121-56000-000	Battery Pack Holder Front Rubber Cushion	Pcs	1	\$ 3.200
10	10473-56000-000	Screw GB/T70.3-2000 (M5*14)	Pcs	4	\$ 1.500
11	10041-56000-000	Nut GB/T6187.1(M5)	Pcs	4	\$ 1.500
12	50190-56000-000	Circuit Breaker (TL3000)	Pcs	1	\$ 13.000
12	50190-56A00-000	Circuit Breaker (125 <sup>a</sup> ) (TL4000)	Pcs	1	\$ 14.000
13	10500-56000-000	Screw DIN7984-2002(M3*35)	Pcs	2	\$ 1.500
14	10720-56000-000	Washer GB/T97.1(Φ3×Φ9×0.8)	Pcs	2	\$ 1.500
15	10040-56000-000	Nut GB/T6187.1 (M3)	Pcs	2	\$ 1.500
16	50020-56000-000	Battery Pack Discharge Cable (TL3000)	Pcs	1	\$ 83.000
16	50020-56A00-000	Battery Pack Discharge Cable (TL4000)	Pcs	1	\$ 85.000
17	50170-56000-000	Tip-Over Sensor	Pcs	1	\$ 14.000
18	10796-56000-000	Clamp Plate (M6)	Pcs	2	\$ 3.500
19	10438-56000-000	Screw GB/T70.2 (M6*10)	Pcs	2	\$ 1.500
20	10441-56000-000	Screw GB/T70.2 (M6*16)	Pcs	2	\$ 1.500