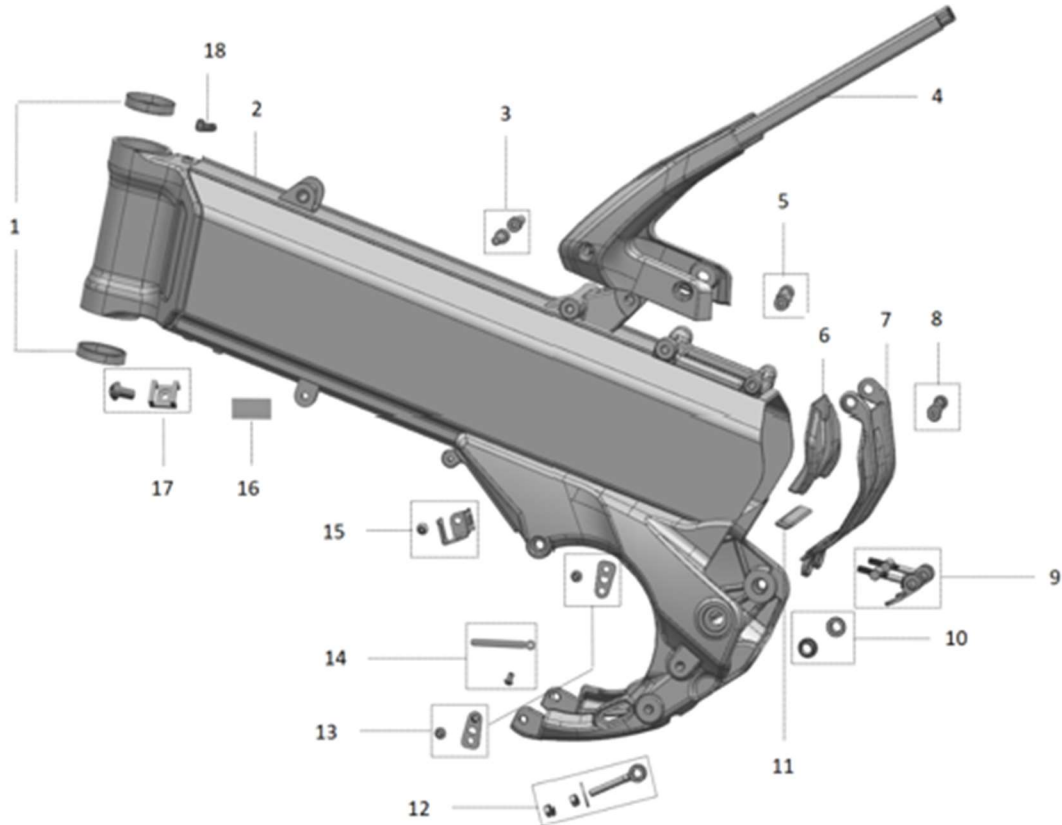


FRAME



Item	Parte Ref. No.	Descripción	Unit	Qty.	Precio (CLP)
4	40300-54000-009	Seat Holder (painting/Silver) (TL2500)	Pcs	1	\$ 75.000
6	12124-54000-000	Battery Buffering Rubber Pad A (TL2500)	Pcs	1	\$ 12.500
7	32871-54000-002	Battery Container Cover (painting/Black) (TL2500)	Pcs	1	\$ 52.000
8	43643-54000-000	Pin ϕ 13 \times 22 (TL2500)	Pcs	2	\$ 8.500
9	40452-54001-000	Quick Disassembling Pin Assy. (TL2500)	Pcs	2	\$ 15.500
10	13371-54000-000	Rear Fork Axle Liner (TL2500)	Pcs	2	\$ 6.500
11	12121-54000-000	Battery Buffering Rubber Pad B (TL2500)	Pcs	1	\$ 4.500