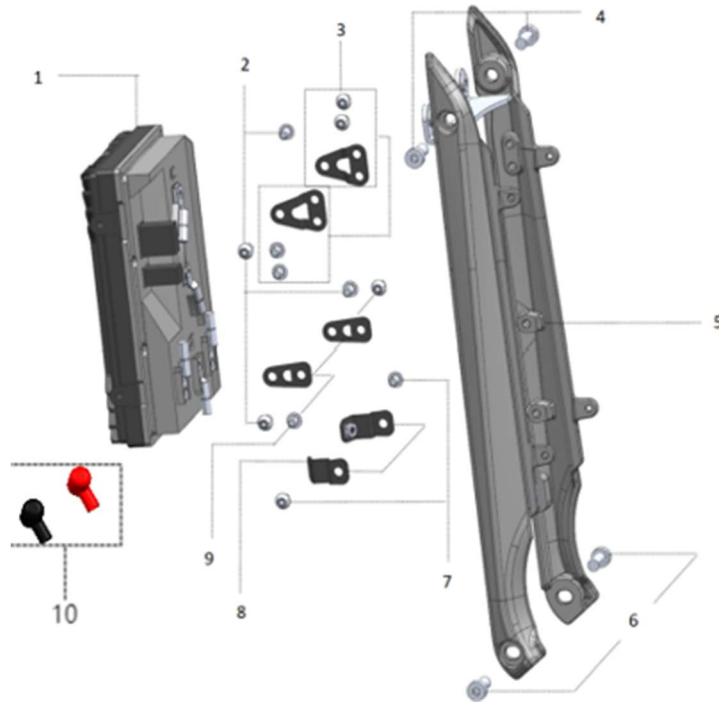


CONTROLLER & SUB FRAME (TL2500)



Item	Parte Ref. No.	Descripción	Unit	Precio (CLP)
1	24000-54000-000	Controller	Set	\$ 520.000
2	10438-56000-000	Bolt (GB/T 70.2) M6×10	Pcs	\$ 1.500
3	43842-54000-000	Controller Upper Holder	Pcs	\$ 5.600
	10437-56000-000	Bolt (GB/T 70.2) M6×8	Pcs	\$ 1.500
4	10523-56000-000	Bolt (DIN7984-2002) M8×16	Pcs	\$ 1.500
5	40310-54000-002	Fr. Sub-Frame (painting/black)	Pcs	\$ 95.000
6	10523-56000-000	Bolt (DIN7984-2002) M8×16	Pcs	\$ 1.500
7	10437-56000-000	Bolt (GB/T 70.2) M6×8	Pcs	\$ 1.500
8	43961-54000-000	Motor Guard Holder	Set	\$ 2.800
9	43845-54000-000	Controller Lower Holder	Pcs	\$ 5.600
	10437-56000-000	Bolt (GB/T 70.2) M6×8	Pcs	\$ 1.500
10	24090-54000-000	Protecting Rober Cover (Red)	Pcs	\$ 4.200
	24090-54001-000	Protecting Rober Cover (Black)	Pcs	\$ 1.050