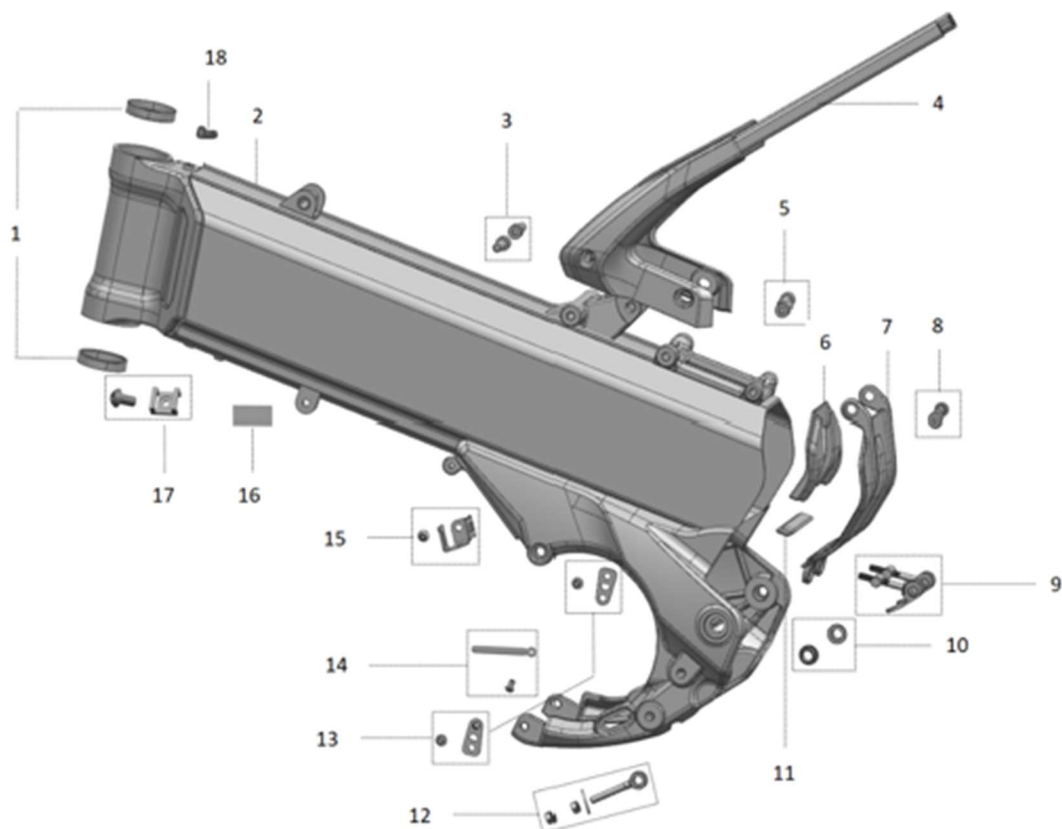


FRAME (TL2500)



FRAME (TL2500)

Item	Parte Ref. No.	Descripción	Unit	Precio (CLP)
1	13213-56000-000	Head Tube Bearing (32906)	Set	\$ 22.000
2	40010-54000-002	Frame (painting/Black)	Set	\$ 917.000
3	10375-56000-000	Bolt GB/T 70.1 / M8 x 25	Pcs	\$ 1.500
4	40300-54000-002	Seat Holder (painting/black)	Set	\$ 108.500
5	10375-56000-000	Bolt GB/T 70.1 / M8 x 25	Pcs	\$ 1.500
6	12124-54000-000	Battery Buffering Rubber Pad A	Pcs	\$ 7.000
7	32871-54000-002	Battery Container Cover (painting/Black)	Pcs	\$ 52.500
8	43643-54000-000	Pin ϕ 13x22	Pcs	\$ 7.000
9	40452-54001-000	Quick Disassembling Pin Assy.	Set	\$ 15.500
10	13371-54000-000	Rear Fork Axle Liner	Pcs	\$ 3.500
11	12121-54000-000	Battery Buffering Rubber Pad B	Pcs	\$ 1.500
12	40454-54000-000	Pin 7.2 x 58	Pcs	\$ 7.500
	10004-56000-000	Nut M6 (GB/T 6170-2000)	Pcs	\$ 1.500
	10726-56000-000	Washer GB/T 97.1/ ϕ 6x ϕ 16x1	Pcs	\$ 1.500
13	40320-54000-000	L. Motor Cover Holder	Pcs	\$ 3.800
	10437-56000-000	Bolt (GB/T 70.2) M6x8	Pcs	\$ 3.000
14	43356-54000-008	Clip	Pcs	\$ 1.500
	10427-56000-000	Bolt GB/T 70.2/M5x8	Pcs	\$ 1.500
15	43198-54000-000	Tip-Over Sensor Holder	Pcs	\$ 2.800
	10437-56000-000	Bolt (GB/T 70.2) M6x8	Pcs	\$ 1.500
16	52032-54000-000	Manufacturer's Data Plate 65x30x1	Pcs	\$ 1.500
17	12578-56000-000	Cable Tie Holder 22x16x9	Pcs	\$ 1.500
	10427-56000-000	Bolt GB/T 70.2/M5x8	Pcs	\$ 1.500
18	12577-56000-000	Cable Tie Holder	Pcs	\$ 1.500