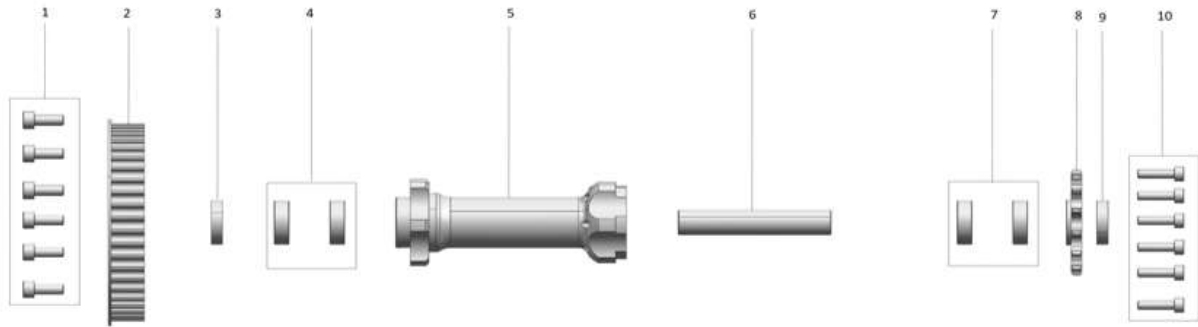


JACKSHAFT (TL2500)



Item	Parte Ref. No.	Descripción	Unit	Precio (CLP)
1	10412-56000-000	Bolt (GB/T 70.1) M6×14	Pcs	\$ 1.500
2	22053-54001-000	Pulley (46T)	Pcs	\$ 46.000
3	12655-56000-000	Oil Seal φ15×φ26×6	Pcs	\$ 1.500
4	13225-56000-000	Bearing 6000-2RS	Set	\$ 23.000
5	22052-54000-000	Pulley Hub φ54×124.5×φ50	Set	\$ 68.500
6	13154-54000-000	Liner φ15×82.6	Pcs	\$ 7.500
7	13225-56000-000	Bearing 6000-2RS	Set	\$ 23.000
8	22090-54000-000	Sprocket (14T)	Pcs	\$ 18.000
9	12654-54000-000	Oil Seal φ15×φ24×7	Pcs	\$ 1.500
10	10362-56000-000	Bolt (GB/T 70.1) M5×20	Pcs	\$ 1.500