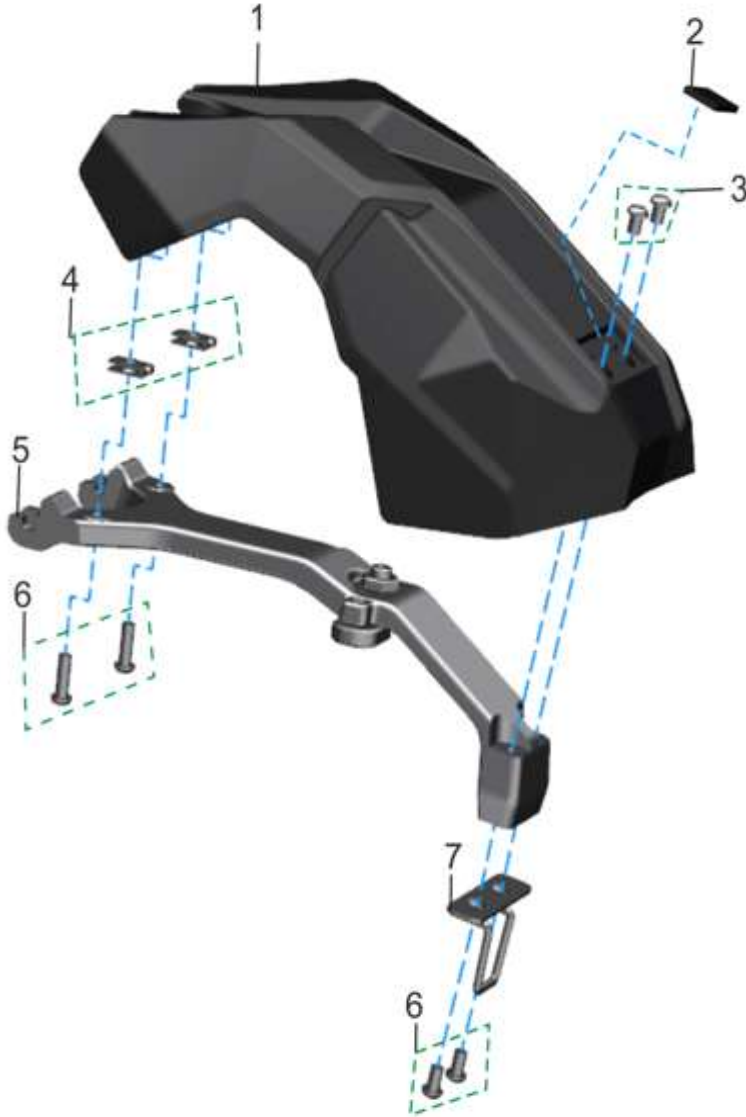


BATTERY FIXING PARTS (TL5500)





BATTERY FIXING PARTS (TL5500)

Item	Parte Ref. No.	Descripción	Unit	Precio (CLP)
1	32871-56C00-000	Battery Pack Cover	Pcs	\$ 30.000
2	34501-56A03-000	Battery Pack Cover Label (France)	Pcs	\$ 3.500
	34501-56A04-000	Battery Pack Cover Label (Canada)	Pcs	\$ 3.500
	34501-56A00-000	Battery Pack Cover Label	Pcs	\$ 3.500
3	10437-56000-000	Bolt GB/T 70.2 (M6*8)	Pcs	\$ 3.500
4	10796-56000-000	Clamp Plate (M6)	Pcs	\$ 4.500
5	43081-56C0Z-000	Battery Pack Upper Holder Assy.	Pcs	\$ 56.000
6	10442-56000-000	Bolt GB/T 70.2 (M6*20)	Pcs	\$ 3.500
7	43782-56000-000	Battery Pack Cover Lock Holder	Pcs	\$ 4.200