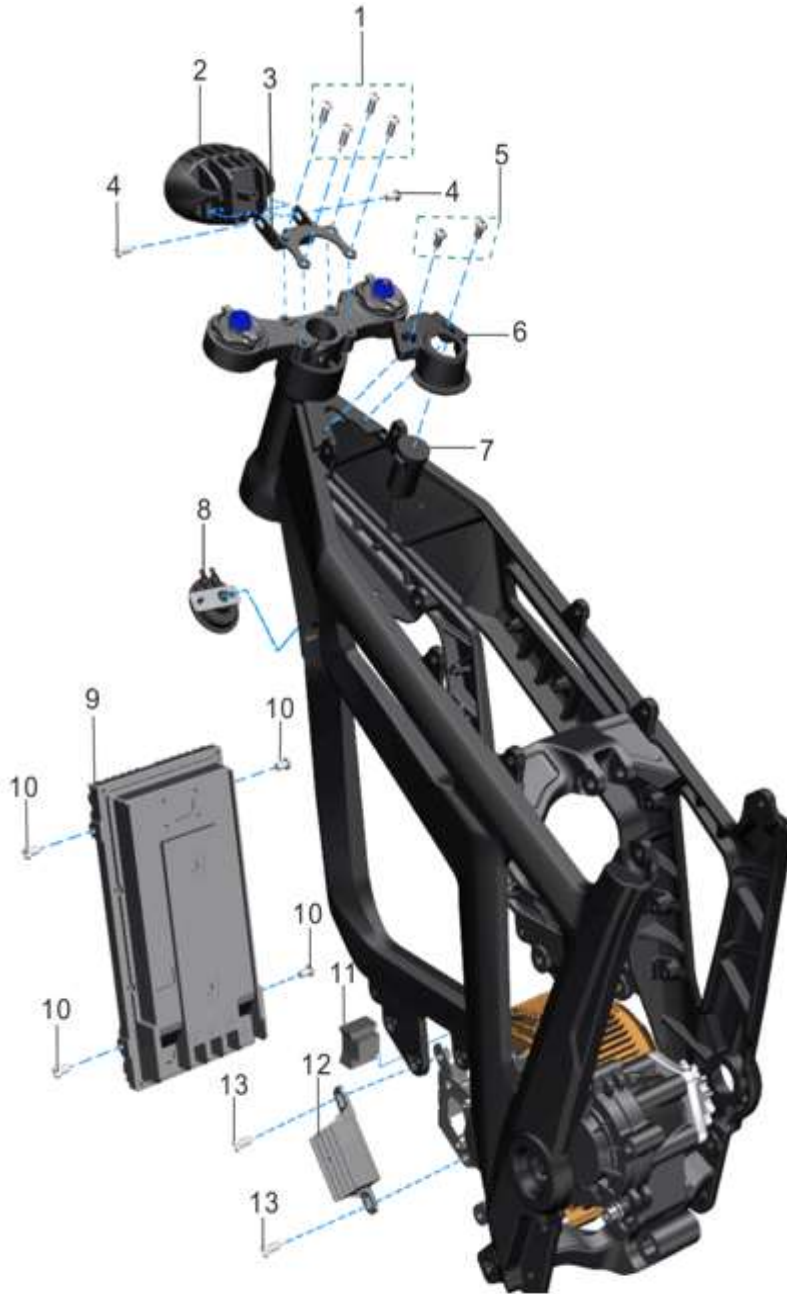


ELECTRICAL PARTS (TL5500)





ELECTRICAL PARTS (TL5500)

Item	Parte Ref. No.	Descripción	Unit	Precio (CLP)
1	10440-56000-000	Screw GB/T70.2 (M6*14)	Pcs	\$ 3.500
2	51010-56A00-000	Headlight	Pcs	\$ 63.000
3	43021-56000-000	Headlight Holder	Pcs	\$ 6.000
4	10561-56000-000	Screw DIN912(M6*16 with washer)	Pcs	\$ 3.500
5	10428-56000-000	Screw GB/T70.2 (M5*10)	Pcs	\$ 3.500
6	32841-56001-000	Key Switch Decoration Cover (Plastic)	Pcs	\$ 10.000
7	50400-56010-000	Key Switch	Pcs	\$ 42.000
8	50070-5600Z-000	Horn	Pcs	\$ 13.500
9	24000-56C00-000	Controller	Pcs	\$ 650.000
10	10438-56000-000	Screw GB/T70.2 (M6*10)	Pcs	\$ 3.500
11	50061-56010-000	Flasher	Pcs	\$ 14.000
12	50030-54001-000	DC Converter	Pcs	\$ 20.000
13	10438-56000-000	Screw GB/T70.2 (M6*10)	Pcs	\$ 3.500