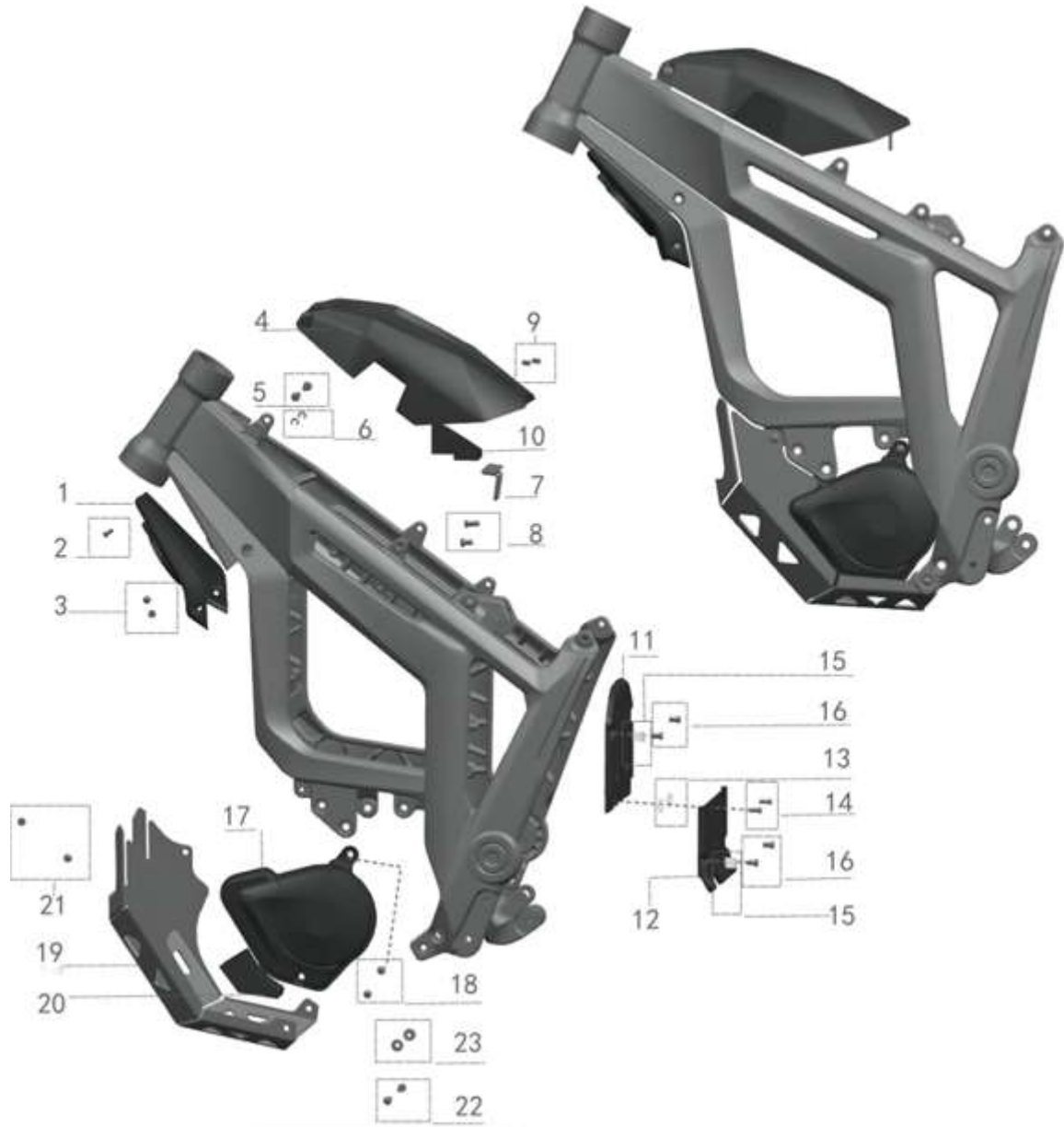


## EXTERIOR FIXING PARTS (TL4000)



## EXTERIOR FIXING PARTS (TL4000)

Item	Parte Ref. No.	Descripción	Unit	Precio (CLP)
1	42053-56000-000	Horn Decoration Cover	Pcs	\$ 10.000
2	10428-56000-000	Bolt GB/T70.2(M5*10)	Pcs	\$ 3.500
3	10430-56000-000	Bolt GB/T70.2(M5*14)	Pcs	\$ 3.500
4	32871-56001-000	Battery Pack Holder Cover	Pcs	\$ 20.500
5	10552-56000-000	Battery Pack Holder Cover Pin	Pcs	\$ 4.000
6	10781-56000-000	Split Washer (Internal Diameter $\Phi$ 5)	Pcs	\$ 3.500
7	43782-56000-000	Battery Pack Holder Cover Lock Holder	Pcs	\$ 4.200
8	10439-56000-000	Bolt GB/T70.2(M6*12)	Pcs	\$ 3.500
9	10004-56000-000	Nut GB/T6170 (M6)	Pcs	\$ 3.500
10	12126-56000-000	Battery Pack Holder Cover Buffer Gasket	Pcs	\$ 3.800
11	32891-56000-000	Battery Pack Rear Fender Upper Section	Pcs	\$ 3.800
12	32892-56000-000	Battery Pack Rear Fender Lower Section	Pcs	\$ 3.800
13	10797-56000-000	Clamp Plate (M5)	Pcs	\$ 3.500
14	10428-56000-000	Bolt GB/T70.2 (M5*10)	Pcs	\$ 3.500
15	43355-56000-000	Gas Vent Clip	Pcs	\$ 3.500
16	10438-56000-000	Bolt GB/T70.2 (M6*10)	Pcs	\$ 3.500
17	42052-56000-000	Gearbox Decoration Cover	Pcs	\$ 12.500
18	10438-56000-000	Bolt GB/T70.2 (M6*10)	Pcs	\$ 3.500
19	43171-56000-000	Gearbox Guard Board	Pcs	\$ 49.500
20	12672-56000-000	Cushion Rubber	Pcs	\$ 3.800
21	10438-56000-000	Bolt GB/T70.2 (M6*10)	Pcs	\$ 3.500
22	10442-56000-000	Bolt GB/T70.2 (M6*20)	Pcs	\$ 3.500
23	10094-56000-000	Bolt GB/T6187.1 (M6)	Pcs	\$ 3.500