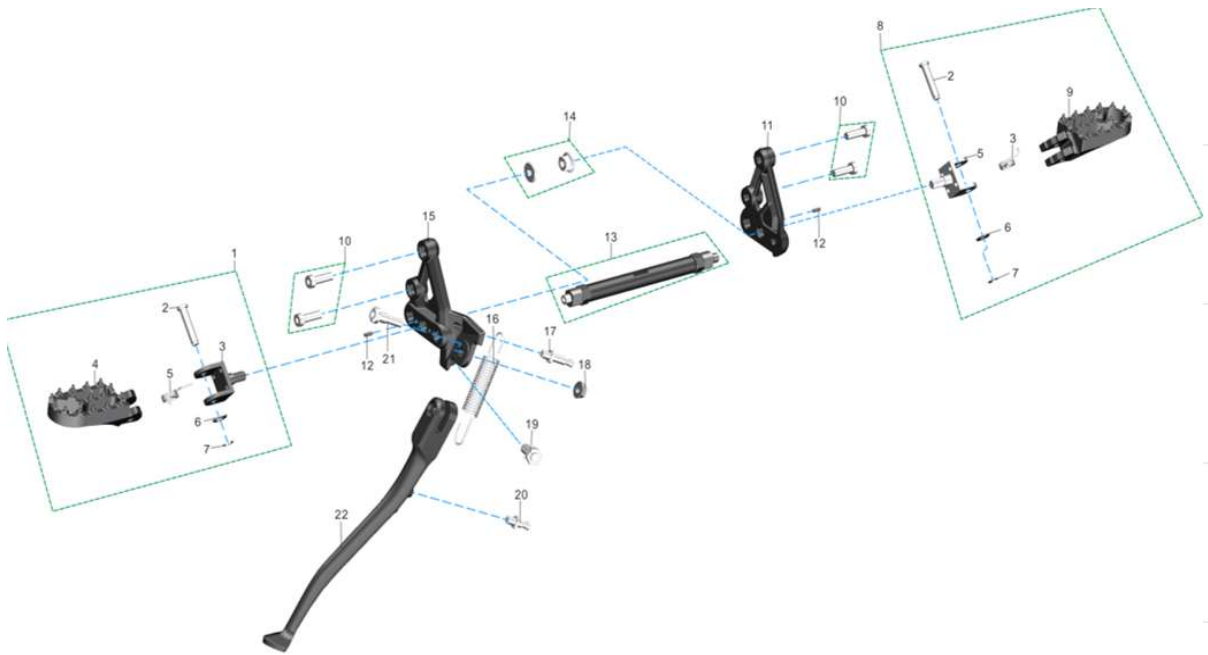


FOOTPEG ASSY(TL5500)



FOOTPEG ASSY(TL5500)

Item	Parte Ref. No.	Descripción	Unit	Precio (CLP)
1	40620-56C0Z-000	L. Footpeg Assy.	Pcs	\$ 80.000
2	43644-56000-000	Footpeg Fixing Pin (Φ13*Φ8*41)	Pcs	\$ 3.500
3	40621-56000-000	Footpeg connector	Pcs	\$ 18.000
4	40620-56A03-000	L. Footpeg Assy.	Pcs	\$ 62.000
5	11802-56000-000	Footpeg Return Spring	Pcs	\$ 18.000
6	10724-56000-000	Washer (Φ8*Φ18*1.5)	Pcs	\$ 3.500
7	10782-56000-000	Circlip (inner diameter Φ6)	Pcs	\$ 3.500
8	40640-56C0Z-000	R. Footpeg Assy.	Pcs	\$ 80.000
9	40640-56A03-000	R. Footpeg	Pcs	\$ 62.000
10	10525-56000-000	Bolt DIN912 (M8*25)	Pcs	\$ 4.500
11	40642-56000-000	R. Footpeg Holder	Pcs	\$ 25.500
12	43643-56000-000	Dowel Pin (Φ4*10)	Pcs	\$ 6.580
13	40650-56000-000	Braces	Pcs	\$ 25.000
14	10044-56000-000	Nut GB/T6187.1 (M10*1.25)	Pcs	\$ 3.500
15	40622-56000-000	L. Footpeg Holder	Pcs	\$ 25.500
16	11402-56000-000	Side Kickstand Spring	Pcs	\$ 5.500
17	40327-56000-000	Side Kickstand Spring Pin	Pcs	\$ 4.500
18	10043-56000-000	Nut GB/T6187.1 (M8)	Pcs	\$ 3.500
19	50200-56000-000	Side Kickstand Power-Off Switch	Pcs	\$ 14.000
20	40328-56000-000	Side Kickstand Spring Pin B	Pcs	\$ 4.500
21	40324-56000-000	Screw (M8*30)	Pcs	\$ 4.500
22	40320-56000-000	Side Kickstand	Pcs	\$ 28.000