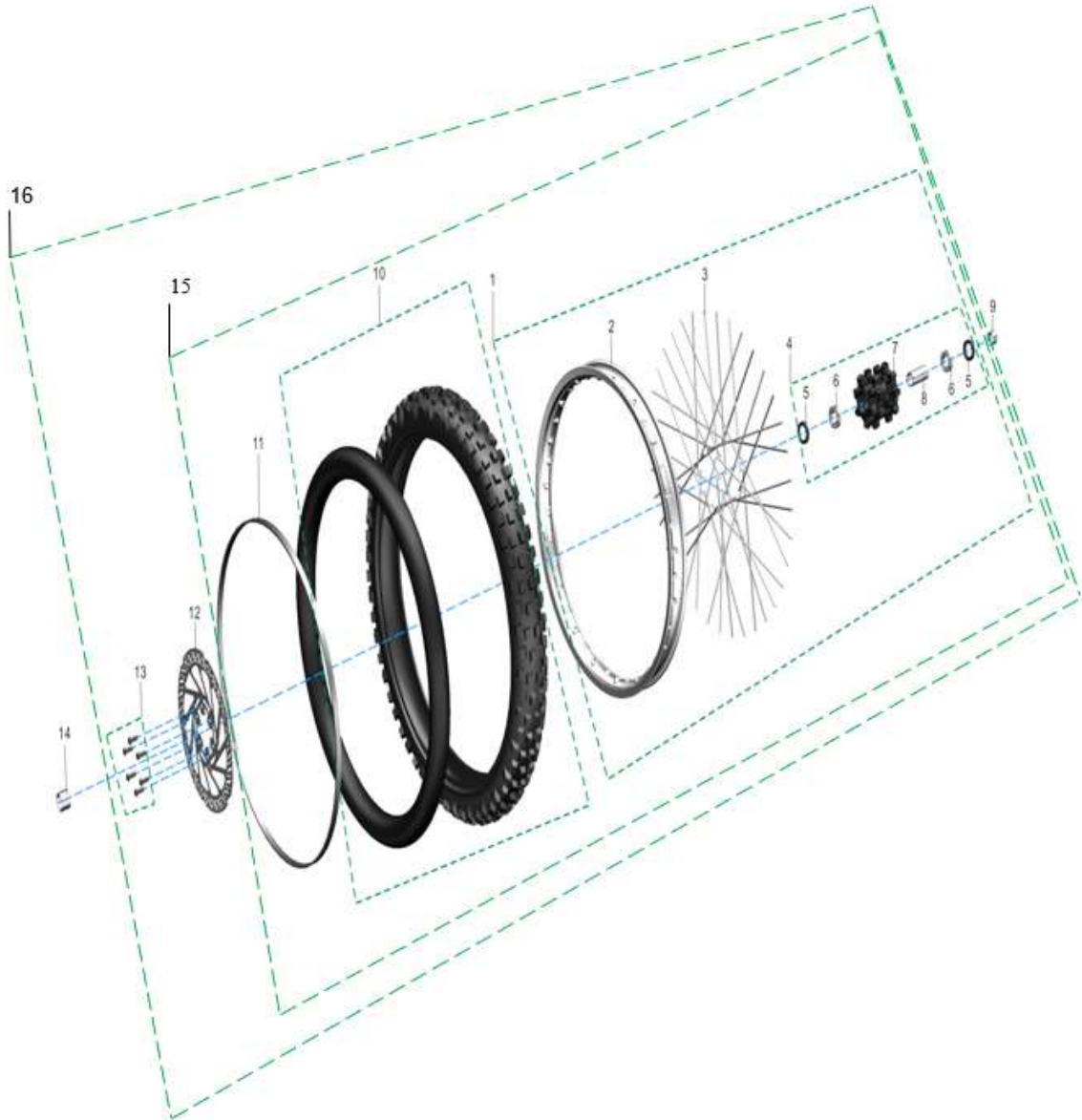


FR WHEEL ASSY(TL5500)



FR WHEEL ASSY(TL5500)

Item	Parte Ref. No.	Descripción	Unit	Precio (CLP)
1	31010-56C00-000	Fr. Rim Assy.	Pcs	\$ 322.000
2	31156-56C00-000	Fr. Rim	Pcs	\$ 84.000
3	31153-56C01-000	Fr. Wheel Inner Spoke10G*3.2	Pcs	\$ 29.000
	31153-56C02-000	Fr. Wheel Outerr Spoke10G*3.2	Pcs	\$ 29.000
4	31021-56C0Z-000	Fr. Wheel Hub Assy.	Pcs	\$ 207.000
5	31132-56C00-000	Oil Seal $\Phi 37 * \Phi 25 * 7$	Pcs	\$ 22.000
6	13212-56001-000	Fr. Wheel Hub Bearing (6904-2RS) ($37 * 20 * 9$)	Pcs	\$ 21.000
7	31021-56C00-000	Fr. Wheel Hub	Pcs	\$ 165.000
8	31013-56C00-000	Fr. Wheel Hub Inner Liner $\Phi 25 * \Phi 20 * \Phi 64.5$	Pcs	\$ 10.500
9	31027-56C00-000	Fr. R. Wheel liner	Pcs	\$ 10.000
10	31303-56000-000	Fr. Tire (E-Mark) 70/100-19	Pcs	\$ 91.000
	31322-56000-000	Fr. Tire Inner Tube (E-Mark) 225/250-19	Pcs	\$ 10.000
11	31341-56000-000	Fr. lining protection	Pcs	\$ 3.500
12	35470-56C00-000	Front Brake Disc	Pcs	\$ 25.000
13	10634-56000-000	Bolt GB/T2672 M6*12/Black zinc-nickel/Thread adhesive	Pcs	\$ 3.500
14	31026-56C00-000	Fr. L. Wheel liner	Pcs	\$ 10.000
15	31303-5600Z-000	Fr. Wheel & Tire Assy. (E-Mark) 70/100-19	Pcs	\$ 427.000
16	31303-56C1Z-000	Fr. Wheel & Tire Assy. (Brake disc) 70/100-19	Pcs	\$ 458.500