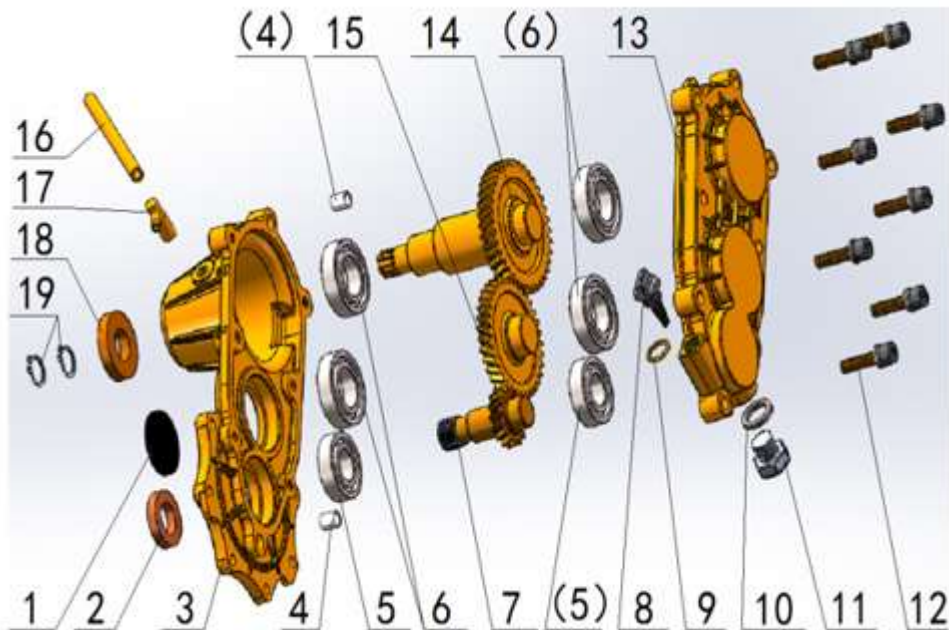


GEARBOX (TL4000)



20



GEARBOX (TL4000)

Item	Parte Ref. No.	Descripción	Unit	Precio (CLP)
1	22084-56000-000	Anti-Dust Cap	Pcs	\$ 5.500
2	12652-56000-000	Gasket (20×35×7)	Pcs	\$ 8.500
3	22010-56000-000	Gearbox L. Cover	Pcs	\$ 55.000
4	22061-56000-000	Hollow Pin	Pcs	\$ 6.000
5	13223-56000-000	Bearing 6004 (20*42*12)	Pcs	\$ 16.500
6	13224-56000-000	Bearing 6005 (25*47*12)	Pcs	\$ 35.000
7	22030-56000-000	Power Input Shaft Gear	Pcs	\$ 80.500
8	22074-56000-000	Oil Rule	Pcs	\$ 15.000
9	12551-56000-000	O-Ring Gasket 3452.1(13.2×2.65)	Pcs	\$ 5.500
10	10741-56000-000	Washer GB/97.1(M16)	Pcs	\$ 9.500
11	22073-56000-000	Oil Drain Bolt Assy.	Pcs	\$ 4.500
12	10527-56000-000	Inner Hexagon Bolt DIN7984 (M8*35)	Pcs	\$ 4.500
	10724-56000-000	Washer GB/97.1(M8)	Pcs	\$ 4.500
	10704-56000-000	Spring Washer GB/93. (M8)	Pcs	\$ 4.500
13	22020-56000-000	Gearbox R. Cover	Pcs	\$ 62.000
14	22050-56000-000	Power Output Shaft Gear	Pcs	\$ 116.000
15	22040-56000-000	Power Mid. Transmission Shaft Gear	Pcs	\$ 100.000
16	22085-56000-000	Gas Vent	Pcs	\$ 6.500
17	22082-56000-000	Gas Vent Valve	Pcs	\$ 12.500
	22083-56000-000	Clip	Pcs	\$ 3.500
18	12653-56000-000	Gasket (25×40×7)	Pcs	\$ 15.000
19	10787-56000-000	Circlip GB/894.1-17	Pcs	\$ 7.500
20	22000-56000-000	Gearbox Assy.	Set	\$ 325.000