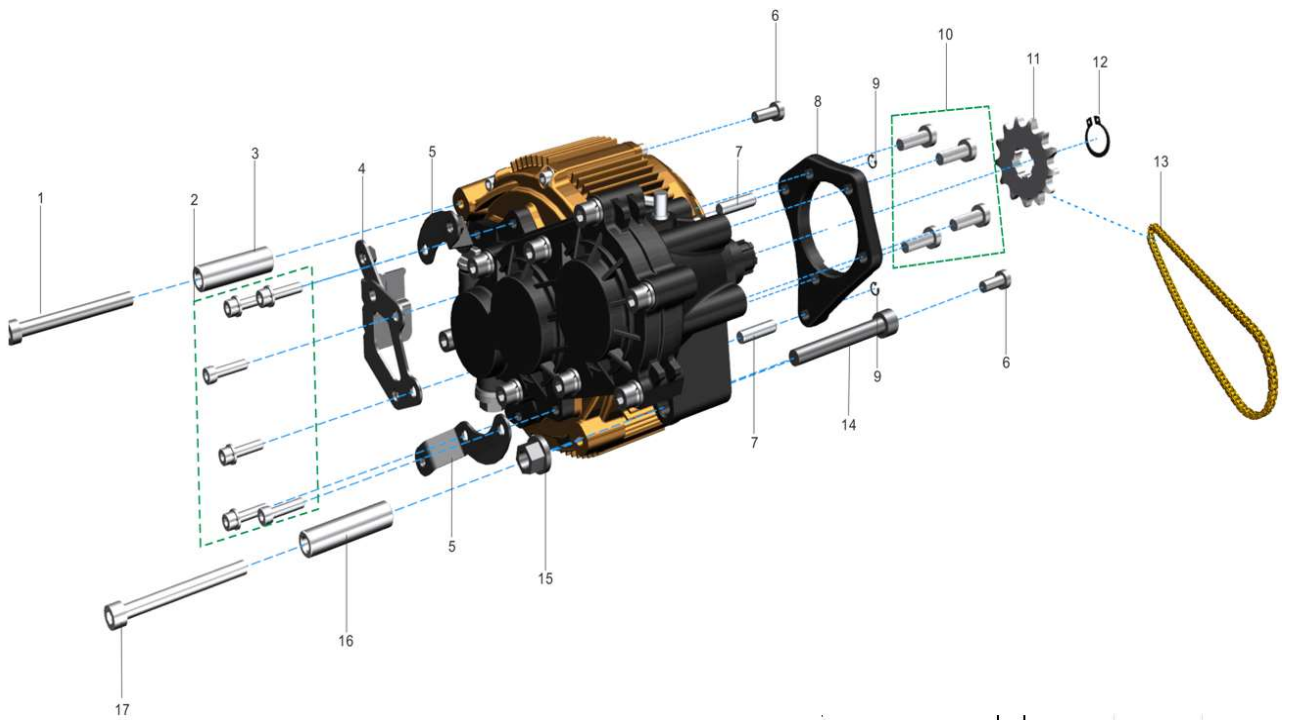


# MOTOR & GEARBOX ASSY (TL5500)



## MOTOR & GEARBOX ASSY (TL5500)

| Item | Parte Ref. No.  | Descripción                                    | Unit | Precio (CLP) |
|------|-----------------|--|------|--------------|
| 1    | 10385-56000-000 | Bolt GB/T70.1 (M8*75)                          | Set  | \$ 3.500     |
| 2    | 10575-56000-000 | Screw DIN912 (M6*25)                           | Set  | \$ 3.500     |
| 3    | 13381-56000-000 | Liner (Φ8.5-Φ15-51)                            | Set  | \$ 3.500     |
| 4    | 43921-56000-000 | Converter Holder                               | Set  | \$ 3.500     |
| 5    | 43951-56000-000 | Gearbox Decoration Cover Holder                | Set  | \$ 3.500     |
| 6    | 10525-56000-000 | Screw DIN7984-2002 (M8*25)                     | Set  | \$ 3.500     |
| 7    | 13236-56000-000 | Cylindrical Pin                                | Set  | \$ 3.500     |
| 8    | 43846-56C00-000 | Gearbox Reinforcing Holder                     | Set  | \$ 22.500    |
| 9    | 10786-56000-000 | Circlip  | Set  | \$ 3.500     |
| 10   | 10315-56000-000 | Bolt (M8*25*1.25 with Thread Locking Adhesive) | Set  | \$ 3.500     |
| 11   | 22090-56C00-002 | Driving Sprocket                               | Set  | \$ 17.500    |
| 12   | 10790-56C00-000 | Circlip GB/T894.1 φ20                          | Set  | \$ 3.500     |
| 13   | 31356-56C00-000 | Chain (428-108)                                | Set  | \$ 52.500    |
| 14   | 10405-56000-000 | Bolt GB/T70.1 (M10*80)                         | Set  | \$ 3.500     |
| 15   | 10044-56000-000 | Nut GB/T 6187.1 (M10*1.5)                      | Set  | \$ 3.500     |
| 16   | 13382-56000-000 | Liner (Φ8.5-Φ15-59.5)                          | Set  | \$ 3.500     |
| 17   | 10386-56000-000 | Bolt GB/T70.1 (M8*80)                          | Set  | \$ 3.500     |