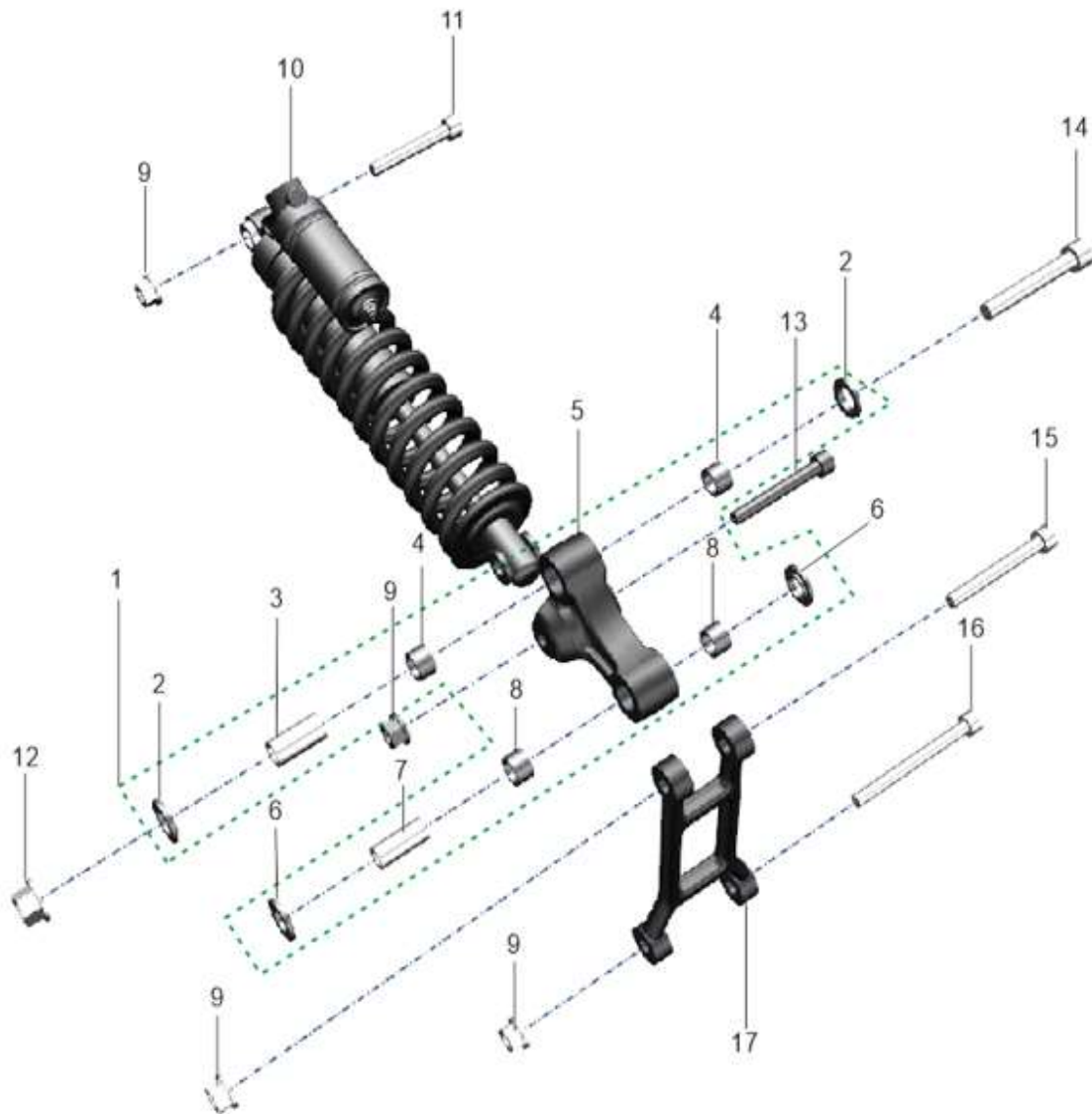


RR SUSPENSION ASSY(TL5500)



RR SUSPENSION ASSY(TL5500)

Item	Parte Ref. No.	Descripción	Unit	Precio (CLP)
1	42800-5600Z-000	Swinging Arm Assy.	Pcs	\$ 47.000
2	42804-56000-000	Swinging Arm Nylon Liner (Φ14-Φ23)	Pcs	\$ 3.500
3	42802-56000-000	Swinging Arm Liner (Φ14-Φ10-29)	Pcs	\$ 6.500
4	13216-56000-000	Swinging Arm Niddle Bearing (HK14180)	Pcs	\$ 5.600
5	42800-56000-000	Swinging Arm	Pcs	\$ 30.000
6	42803-56000-000	Swinging Arm Nylon Liner (Φ12-Φ23)	Pcs	\$ 3.500
7	42801-56000-000	Swinging Arm Liner (Φ12-Φ8-29)	Pcs	\$ 3.500
8	13215-56000-000	Swinging Arm Niddle Bearing (HK1210)	Pcs	\$ 5.600
9	10043-56000-000	Bolt GB/T6187.1 (M8)	Pcs	\$ 3.500
10	42600-56C04-000	Rr. Absorber Assy. (TALARIA)	Pcs	\$ 308.000
11	10381-56000-000	Bolt GB/T70.1 (M8*55)	Pcs	\$ 3.500
12	10044-56000-000	Nut GB/T6187.1 (M10)	Pcs	\$ 3.500
13	10382-56000-000	Bolt GB/T70.1 (M8*60)	Pcs	\$ 3.500
14	10402-56000-000	Bolt GB/T70.1 (M10*65)	Pcs	\$ 4.500
15	10383-56000-000	Bolt GB/T70.1 (M8*65)	Pcs	\$ 4.500
16	10387-56000-000	Bolt GB/T70.1 (M8*85)	Pcs	\$ 4.500
17	42700-56020-000	Swinging Arm Linkage	Pcs	\$ 33.000