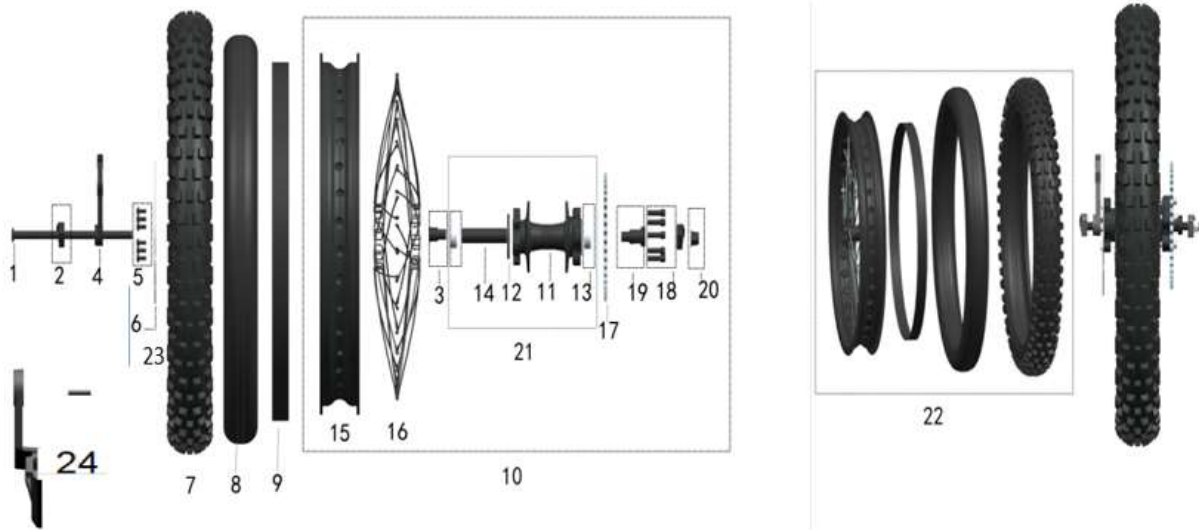


RR. WHEEL ASSY (TL4000)



RR. WHEEL ASSY (TL4000)

Item	Parte Ref. No.	Descripción	Unit	Precio (CLP)
1	13191-56000-000	Rr. Wheel Axle	Pcs	\$ 24.000
2	43671-56000-000	Chain Tensioner	Pcs	\$ 10.000
3	13151-56000-000	Rr. Wheel L. Setback Liner	Pcs	\$ 10.000
4	43681-56A00-000	Rr. Brake Clipper Holder(TL4000)	Pcs	\$ 22.000
5	10634-56000-000	Bolt GB/T818 (M6*12)	Pcs	\$ 3.500
6	35591-56A00-000	Rr. Brake Disc(220×2.3)TL4000	Pcs	\$ 35.000
7	31312-56000-000	Rr. Tire (Normal) 80/100-19	Pcs	\$ 52.000
8	31333-56000-000	Rr. Tire Inner Tube (Normal) 275/300-19	Pcs	\$ 20.000
9	31341-56000-000	Rr. Rim Band	Pcs	\$ 3.500
10	31130-56000-000	Rr. Rim Assy.	Set	\$ 252.000
11	31135-56000-000	Rr. Wheel Hub	Pcs	\$ 157.500
12	31132-56000-000	Oil Seal (Φ20-Φ37-7)	Pcs	\$ 6.000
13	13221-56000-000	Rr. Wheel Hub Bearing (6202-2RS)	Pcs	\$ 16.500
14	31145-56000-000	Rr. Wheel Hub Inner Spacer (Φ21-81.5)	Pcs	\$ 6.000
15	31156-56000-000	Rr. Rim	Pcs	\$ 71.500
16	31153-56000-000	Rr. Wheel Spoke Assy. (valor unidad)	Set	\$ 5.500
17	31369-56001-000	Rear Sprocket (44T)	Pcs	\$ 35.000
18	10373-56000-000	Screw (M8*18)	Pcs	\$ 3.500
19	13171-56000-000	Rr. Wheel R. Setback Liner	Pcs	\$ 10.000
20	10045-56000-000	Nut GB/T6187.1 (M12*1.25)	Pcs	\$ 5.500
21	31135-5600Z-000	Rr. hub assy.	Set	\$ 185.500
22	31312-5600Z-000	Rr. Wheel & Tire Assy.(Normal) 80/100-19	Set	\$ 346.500
23	43643-56000-000	Dowel Pin (Φ4*10)	Pcs	\$ 5.000
24	31140-56A01-000	Rr. Brake Disc protection holder	Pcs	\$ 25.000