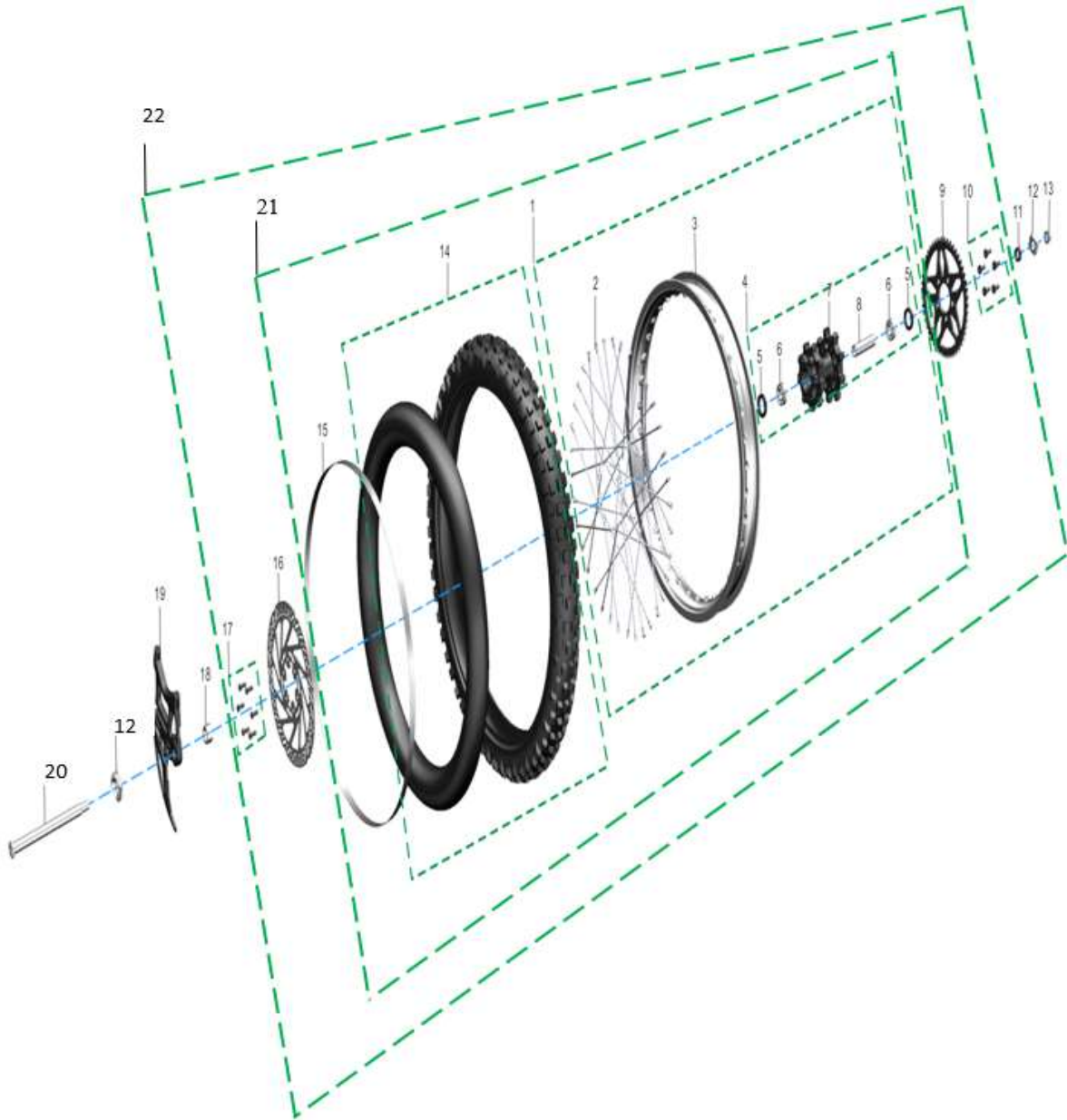


RR WHEEL ASSY(TL5500)



RR WHEEL ASSY(TL5500)

Item	Parte Ref. No.	Descripción	Unit	Precio (CLP)
1	31130-56C00-000	Rr. Rim Assy.	Pcs	\$ 350.000
2	31153-56C01-000	Rr. Wheel Inner Spoke10G*3.2	Pcs	\$ 29.000
	31153-56C02-000	Rr. Wheel Outerr Spoke10G*3.2	Pcs	\$ 29.000
3	31156-56C00-000	Rr. Rim	Pcs	\$ 84.000
4	31135-56C0Z-000	Rr. Hub Assy.	Pcs	\$ 222.000
5	31132-56C00-000	Oil seal $\Phi 37*\Phi 25*7$	Pcs	\$ 22.000
6	13221-56000-000	Waterproof bearing	Pcs	\$ 21.000
7	31135-56C00-000	Rr. Wheel Hub	Pcs	\$ 184.000
8	31345-56C00-000	Rr. Wheel Hub Inner Spacer $\Phi 20*15*90$	Pcs	\$ 10.500
9	31368-56C00-002	Sprocket (48T)	Pcs	\$ 98.000
10	10316-56000-000	Bolt M8*24*1.25	Pcs	\$ 3.500
11	13171-56C00-000	Rr. Wheel R. Setback Liner	Pcs	\$ 10.000
12	43671-56C00-000	Chain Tensioner	Pcs	\$ 15.500
13	10045-56000-000	Nut GB/T6187.1 (M12*1.25)	Pcs	\$ 5.500
14	31311-56000-000	Rr. Tire (E-Mark) 80/100-19	Pcs	\$ 98.000
	31332-56000-000	Rr. Tire Inner Tube (E-Mark) 275/300-19	Pcs	\$ -
15	31341-56000-000	Rr. Rim Band	Pcs	\$ 3.500
16	35470-56C00-000	Rr. Brake Disc	Pcs	\$ 35.000
17	10634-56000-000	bolt GB/T2672 M6*12	Pcs	\$ 4.500
18	13151-56C00-000	Rr. Wheel L. Setback Liner	Pcs	\$ 10.000
19	31140-56C00-000	Rr. Brake Clipper Holder	Pcs	\$ 42.000
20	13191-56C00-000	Rr. Wheel Axle	Pcs	\$ 25.000
21	31311-5600Z-000	Rr. Hub Assy.	Pcs	\$ 462.000
22	31311-56C1Z-000	Rr. Wheel & Tire Assy.80\100-19(Rear sprocket\disk)	Pcs	\$ 588.000