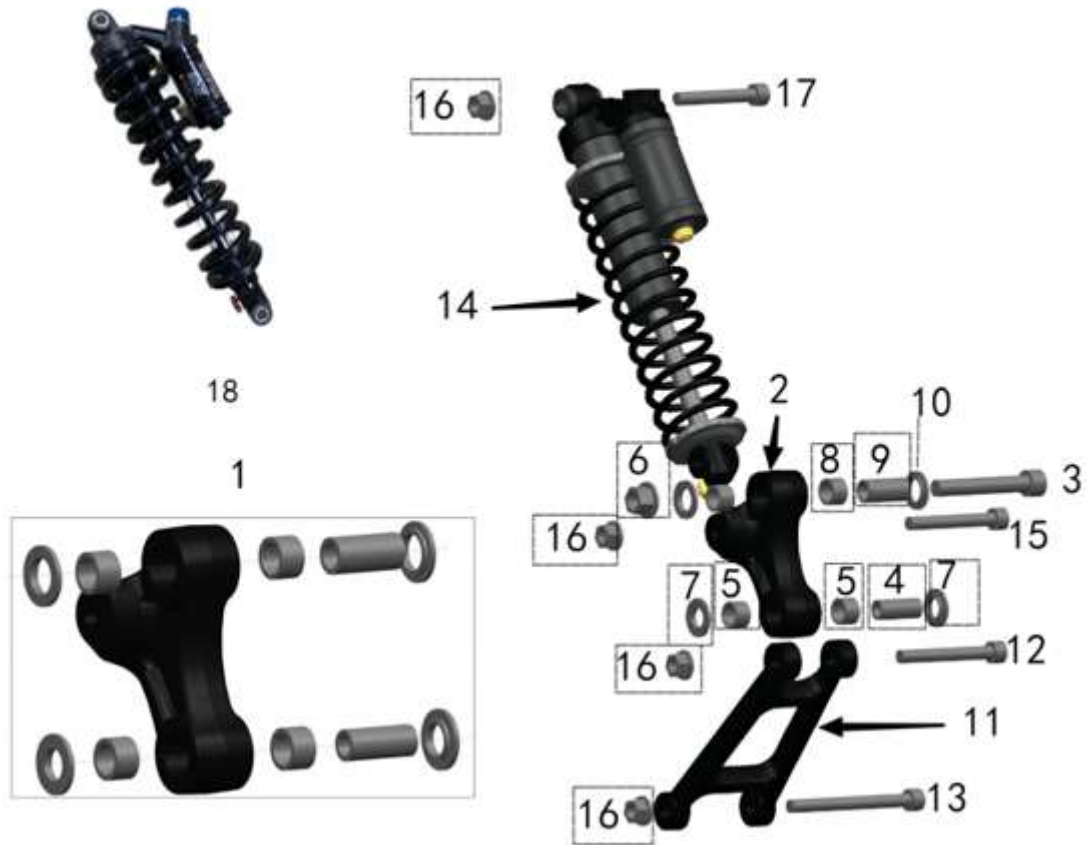


RR. SUSPENSION ASSY (TL4000)



RR. SUSPENSION ASSY (TL4000)

Item	Parte Ref. No.	Descripción	Unit	Precio (CLP)
1	42800-5600Z-000	Swinging Arm Assy.	Set	\$ 47.000
2	42800-56000-000	Swinging Arm	Pcs	\$ 30.000
3	10402-56000-000	Bolt GB/T70.1 (M10*65)	Pcs	\$ 3.500
4	42801-56000-000	Swinging Arm Liner (Φ12-Φ8-29)	Pcs	\$ 3.500
5	13215-56000-000	Swinging Arm Niddle Bearing (HK1210)	Pcs	\$ 5.600
6	10044-56000-000	Nut GB/T6187.1 (M10)	Pcs	\$ 3.500
7	42803-56000-000	Swinging Arm Nylon Liner (Φ12-Φ23)	Pcs	\$ 3.500
8	13216-56000-000	Swinging Arm Niddle Bearing (HK14180)	Pcs	\$ 5.600
9	42802-56000-000	Swinging Arm Liner (Φ14-Φ10-29)	Pcs	\$ 3.500
10	42804-56000-000	Swinging Arm Nylon Liner (Φ14-Φ23)	Pcs	\$ 3.500
11	42700-56020-000	Swinging Arm Linkage	Pcs	\$ 33.000
12	10383-56000-000	Bolt GB/T70.1 (M8*65)	Pcs	\$ 3.500
13	10387-56000-000	Bolt GB/T70.1 (M8*85)	Pcs	\$ 3.500
14	42600-56000-000	Rr. Absorber Assy. (FAST)	Set	\$ 308.000
15	10382-56000-000	Bolt GB/T70.1 (M8*60)	Pcs	\$ 3.500
16	10043-56000-000	Bolt GB/T6187.1 (M8)	Pcs	\$ 3.500
17	10381-56000-000	Bolt GB/T70.1 (M8*55)	Pcs	\$ 3.500
18	42600-56003-000	Rr. Absorber Assy.(L265) (TALARIA)	Set	\$ 308.000