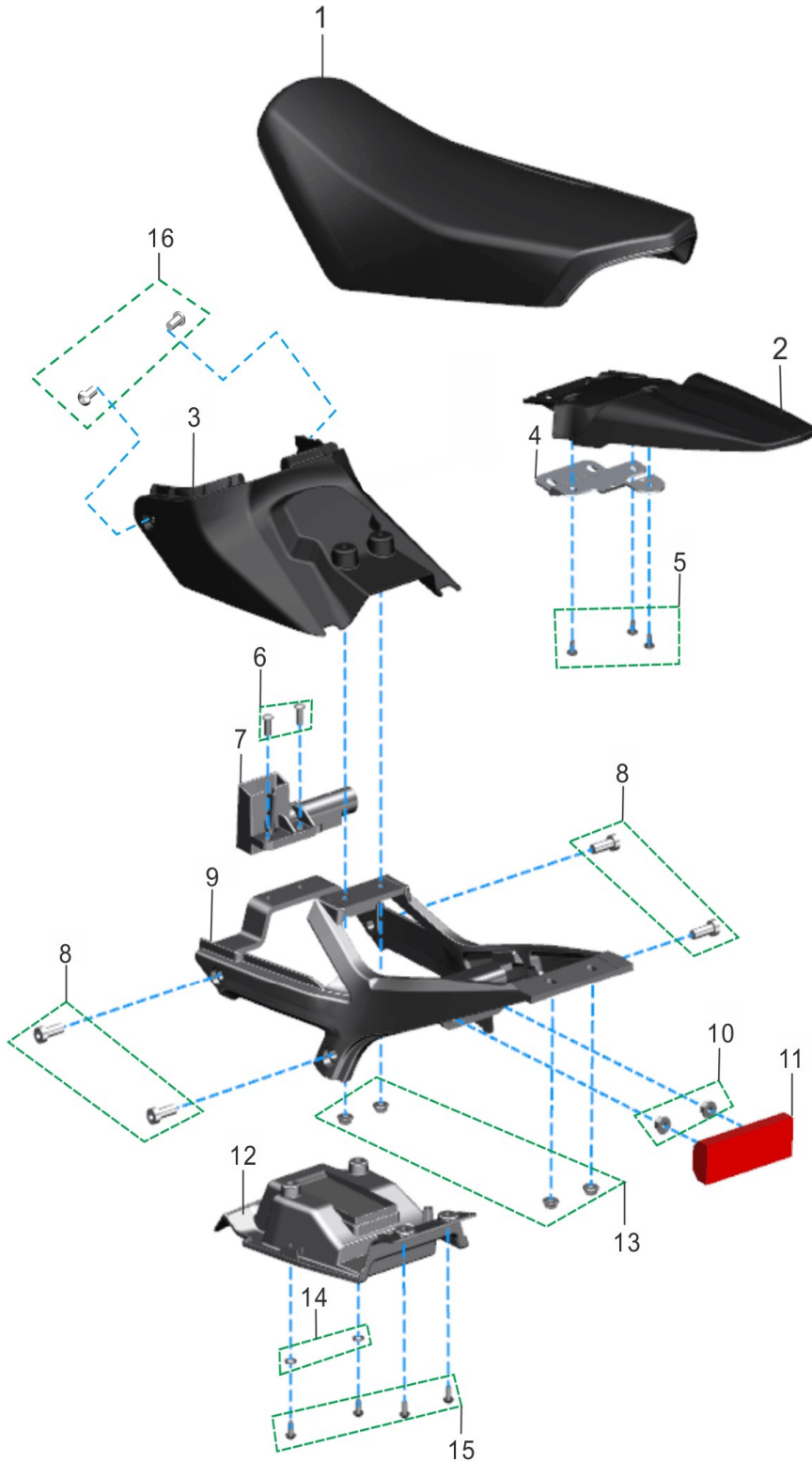


## SEAT ASSY (TL5500)



## SEAT ASSY (TL5500)

Item	Parte Ref. No.	Descripción	Unit	Precio (CLP)
1	41010-56001-000	Seat Assy.	Pcs	\$ 47.000
2	32431-56A00-000	Rr. Fender	Pcs	\$ 15.000
3	32881-56C00-000	Seat Holder Fr. Plastic Side Cover	Pcs	\$ 5.500
4	43411-56A00-000	Rr. Fender Reinforcing Holder	Pcs	\$ 10.500
5	10611-56000-000	Screw GB/T845 (ST4.8*13)	Pcs	\$ 3.500
6	10440-56000-000	Screw GB/T70.2 (M6*14)	Pcs	\$ 3.500
7	50400-56000-000	Battery Pack Holder Cover Lock Bracket	Pcs	\$ 42.000
8	10524-56000-000	Bolt DIN7984-2002(M8*20)	Pcs	\$ 3.080
9	40300-56010-002	Seat Holder (Black Painting)	Pcs	\$ 164.500
10	10093-56000-000	Nut DIN6923-1983M5 (M5)	Pcs	\$ 3.500
11	51080-56A00-000	Tail Lamp	Pcs	\$ 28.000
12	32882-56000-000	Seat Holder Fr. Plastic Bottom Part	Pcs	\$ 10.000
13	10094-56000-000	Nut DIN6923-1983 (M6)	Pcs	\$ 3.500
14	43534-56000-000	Silica-gel Washer (Φ10*Φ5*1.9)	Pcs	\$ 5.500
15	10611-56000-000	Screw GB/T845 (ST4.8*13)	Pcs	\$ 3.500
16	10438-56000-000	Screw GB/T70.2 (M6*10)	Pcs	\$ 3.500