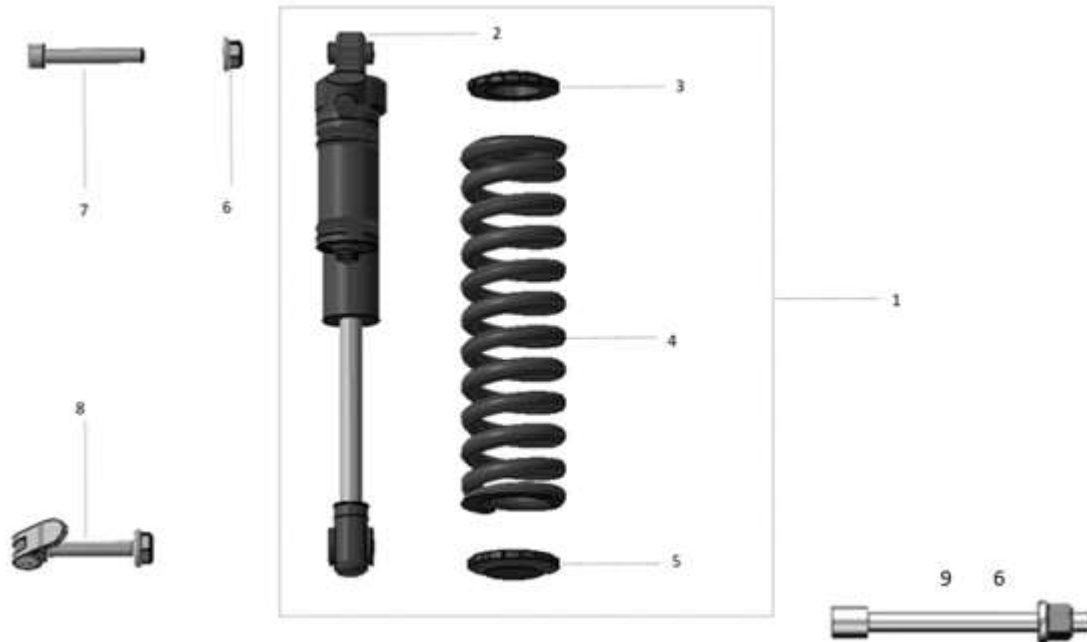


SHOCK ABSORBER (TL2500)



| Item | Parte Ref. No. | Descripción | Unit | Precio (CLP) |
|------|-----------------|-----------------------------------|------|--------------|
| 1 | 42600-54004-000 | Rr. Shock Absorber | Set | \$ 297.500 |
| 2 | 42720-54004-000 | Piston Assy. | Set | \$ 227.500 |
| 3 | 42703-54004-000 | Spring Adjuster | Pcs | \$ 17.500 |
| 4 | 42704-54004-000 | Spring | Pcs | \$ 35.000 |
| 5 | 42705-54004-000 | Spring Base | Pcs | \$ 17.500 |
| 6 | 10043-56000-000 | Nut (GB/T 6187.1) M8×1.25 | Pcs | \$ 3.500 |
| 7 | 10381-56000-000 | Bolt (GB/T 70.1) M8×55 | Pcs | \$ 3.500 |
| 8 | 40452-54000-000 | Quick Disassembling Bolt Assy. M8 | Set | \$ 9.000 |
| 9 | 10380-56000-000 | Bolt (GB/T 70.1) M8×50 | Pcs | \$ 3.500 |
| | 10043-56000-000 | Nut (GB/T 6187.1) M8×1.25 | Pcs | \$ 3.500 |