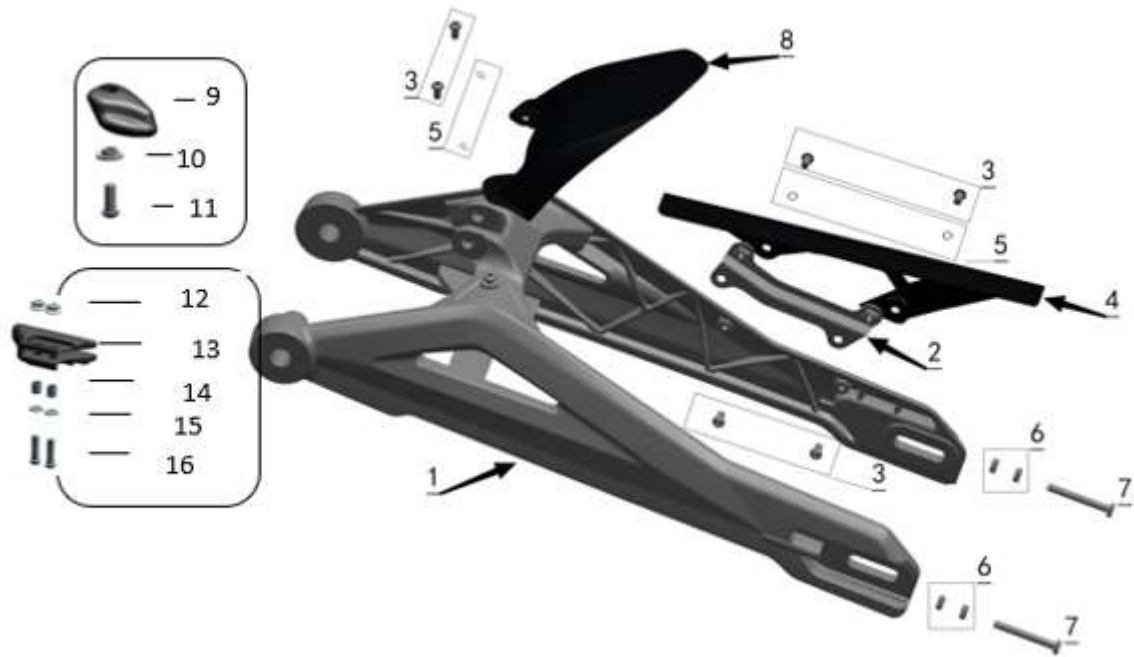


## SWING ARM (TL4000)



## SWING ARM (TL4000)

Item	Parte Ref. No.	Descripción	Unit	Precio (CLP)
1	40430-56000-002	Rr. Fork Assy. (Black Painting)	Pcs	\$ 465.500
2	40436-56000-000	Chain Guide Holder	Pcs	\$ 6.500
3	10438-56000-000	Bolt GB/T70.2 (M6*10)	Pcs	\$ 3.500
4	43010-56000-000	Chain Guide	Pcs	\$ 12.500
5	10723-56000-000	Washer GB/T97.1 (M6)	Pcs	\$ 3.500
6	10004-56000-000	Nut GB/T6170 (M6)	Pcs	\$ 3.500
7	10132-56000-000	Bolt GB/T5783 (M6*40)	Pcs	\$ 3.500
8	32315-56000-000	Rr. Wheel Fender	Pcs	\$ 20.000
9	12631-56A00-000	Chain upper Guard Board	Pcs	\$ 5.500
10	13231-56A00-000	Chain upper Guard Board Liner φ15*9.5*5.5	Pcs	\$ 3.500
11	10442-56000-000	Bolt GB/T70.2 (M6*20)	Pcs	\$ 3.500
12	10094-56000-000	Nut DIN6923-1983M6	Pcs	\$ 3.500
13	12632-56A00-000	Chain Bottom Guard Board	Pcs	\$ 5.500
14	13232-56A00-000	Chain Bottom Guard Board Liner Φ6.2×Φ8×9	Pcs	\$ 3.500
15	10723-56001-000	Washer GB/T 97.1Φ6×Φ12×1.6	Pcs	\$ 3.500
16	10443-56A00-000	Bolt GB/T 70.2 (M6×25)	Pcs	\$ 3.500