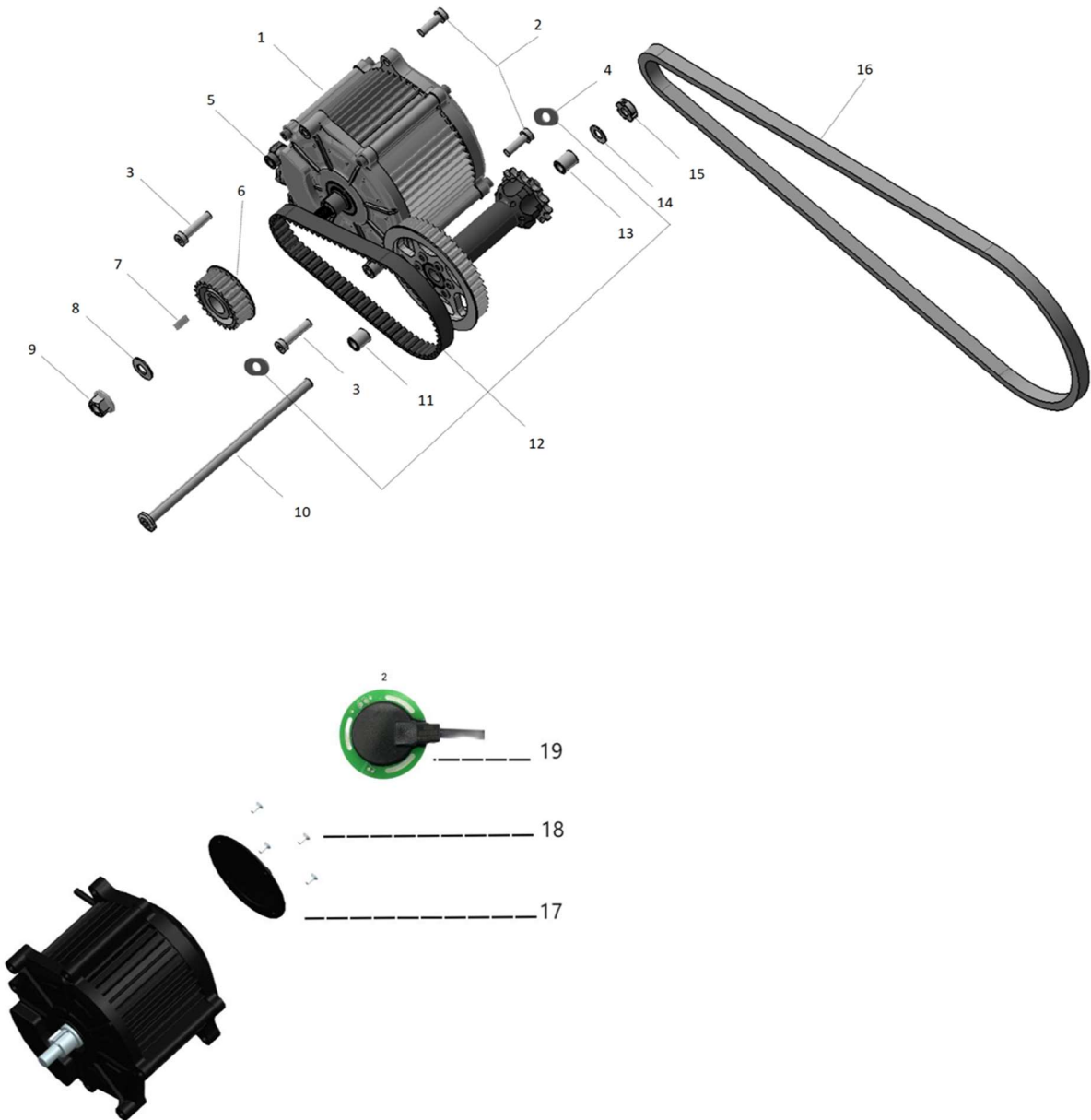


TRANSMISSION ASSY



TRANSMISSION ASSY

Item	Parte Ref. No.	Descripción	Unit	Precio (CLP)
1	20000-54000-000	Motor Assy.	Set	\$ 575.000
2	10525-56000-000	Bolt (DIN7984-2002) M8×25	Pcs	\$ 3.500
3	10529-56000-000	Bolt (DIN7984-2002) M8×45	Pcs	\$ 3.500
4	20013-54000-008	Washer 21.5×4.5×2.5	Pcs	\$ 3.500
5	13381-54000-000	Spacer φ15×7.25	Pcs	\$ 2.500
6	22053-54000-000	Pulley 23T	Pcs	\$ 22.500
7	10751-56000-006	Flat Key (GB/T 1096) 5×5×16	Pcs	\$ 3.000
8	10682-56000-000	Spring (GB/T 1972) Φ25×3	Pcs	\$ 3.500
9	10045-56000-000	Nut (GB/T 6187.2) M12×1.25	Pcs	\$ 3.500
10	13051-54000-000	Rr. Fork Axle	Pcs	\$ 15.000
11	13152-54000-000	Spacer φ15×16.4	Pcs	\$ 3.500
12	31359-54000-000	Belt HTD-560-8M-16	Pcs	\$ 30.000
13	13153-54000-000	Spacer φ15×18	Pcs	\$ 3.500
14	10681-56000-000	Spring (GB/T 1972) Φ20×2	Pcs	\$ 3.500
15	10491-56000-000	Nut (GB 812-1988) M10×1	Pcs	\$ 3.500
16	31351-56000-000	Chain (420-102)	Pcs	\$ 35.500
17	20013-54000-000	Motor Decoration Cover(Right Side)	Pcs	\$ 5.500
18	20014-56001-000	Motor Decoration Cover Screw	Pcs	\$ 3.500
19	20001-54001-000	Magnetic Encoder	Set	\$ 58.000